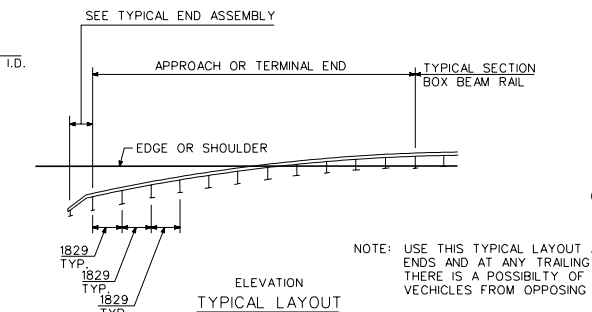
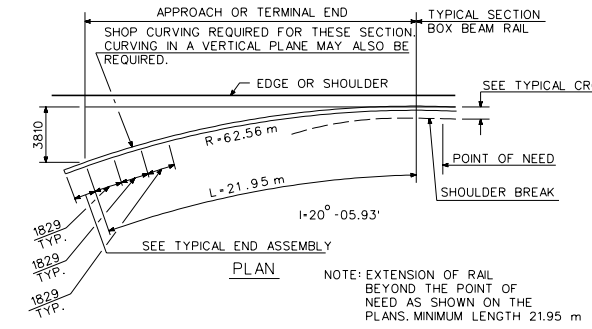
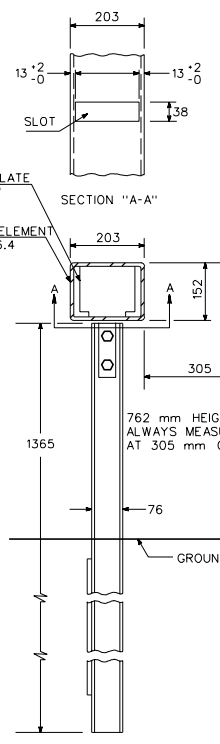
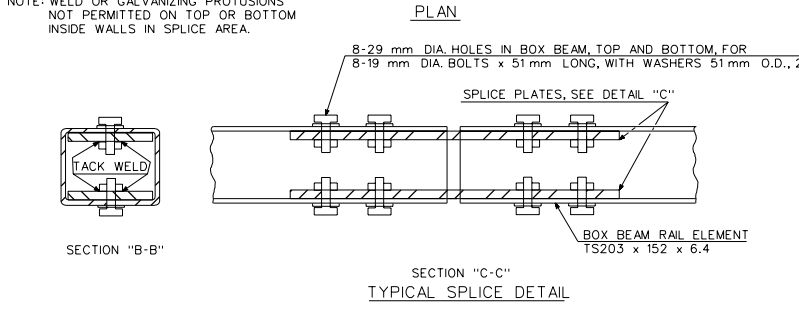
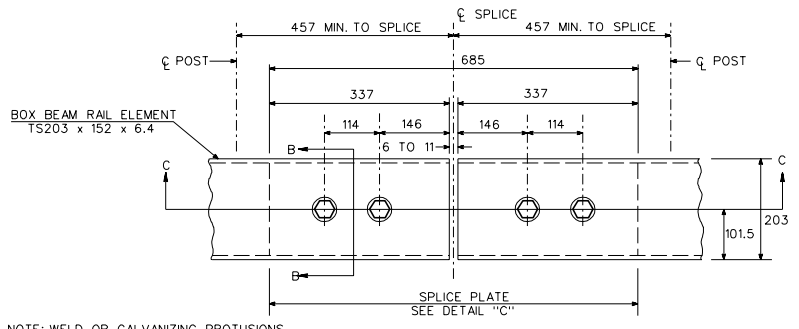
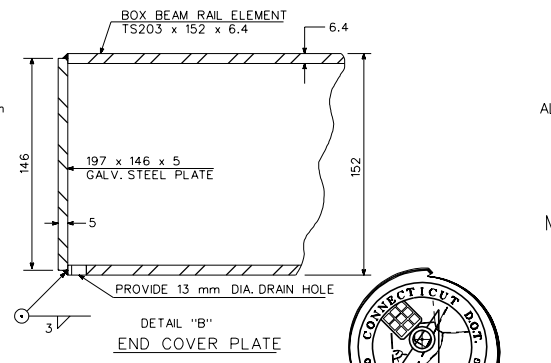
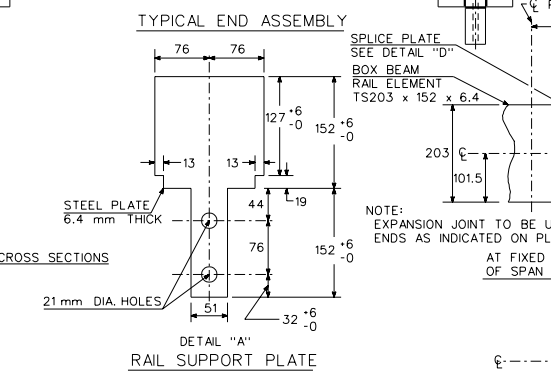
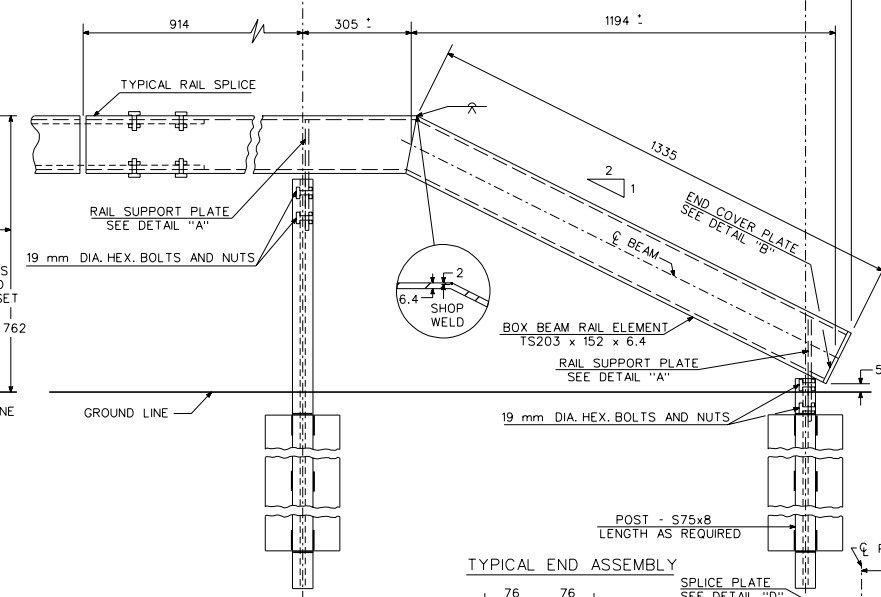


TYPICAL SECTION



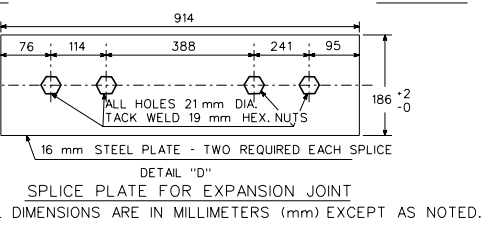
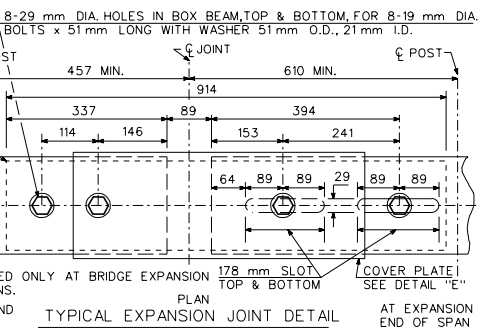
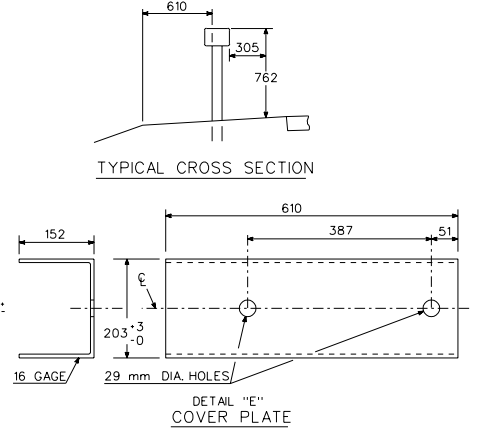
PAYMENT LIMIT FOR 200 x 150  
BOX BEAM RAIL OR 200 x 150 BOX BEAM  
RAIL (SHOP CURVED)

PAYMENT LIMIT FOR 200 x 150 BOX BEAM END ASSEMBLY



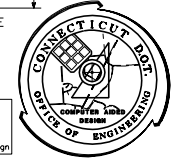
GENERAL NOTE

200x150 BOX BEAM RAIL (SHOP CURVED) - FOR CURVE RADII  
GREATER THAN 465 m BOX BEAM SHALL BE SHOP WORKED  
TO THE REQUIRED CURVATURE.



METAL BEAM RAIL 200 x 150 BOX BEAM

CONN. DEPT. OF TRANSPORTATION 8/95  
CONN. DEPT. OF TRANSPORTATION 8/95



MANUAL REVISIONS TO THIS  
DOCUMENT ARE PROHIBITED.  
ALL REVISIONS MUST BE  
PERFORMED ON  
Cadd File: r:\metric\standards\comdot\910b.dgn